

# ICS110/150 Series Camclosure® Camera System

## MINI DOME, LOWLIGHT™ DSS, HIGH RES COLOR, SURFACE AND IN-CEILING

### Product Features

- Fully-Integrated Enclosure with Camera and Lens
- Rugged, High-Impact, Vandal-Resistant, Puncture-Proof Domes; Tamper-Resistant Hardware
- LowLight™ DSS Technology (Down to 0.025 lux)
- 3-9 mm Varifocal Lens
- Easy to Install; Camera Module Easy to Adjust and Remove
- Meets NEMA Type 4X and IP66 Standards
- 12 VDC or 24 VAC Operation, Autosensing
- Available with Smoked or Clear Dome
- NTSC and PAL Camera Formats
- Digital Signal Processing
- Optional Pendant Mount Adapter (ICS110)



ICS110 SERIES DOME



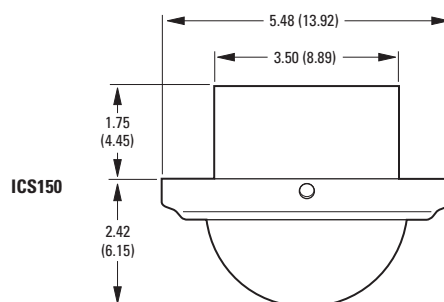
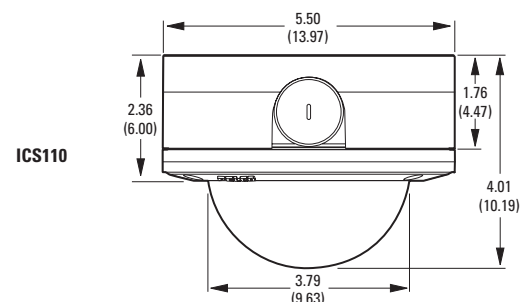
ICS150 SERIES DOME

The **ICS110/150 Series Camclosure® Integrated Camera System** includes an enclosure, with a LowLight™ DSS, high resolution color camera with auto iris, 3-9 mm varifocal lens. The LowLight color camera has extended Digital Slow Shutter (DSS) settings to enhance the low light performance of the camera by automatically adjusting the number of fields of integration.

The **ICS110 Series** versatile design allows for multiple installation options including mounting directly to a ceiling or wall, or to a 1.5-inch (3.81 mm) NPT fitting with the optional pendant mount adapter (ICS110-PG). The unit can also mount directly to a 4S electrical box using the optional adapter plate (ICS110-AP) or a standard plaster ring.

The **ICS150 Series Camclosure Integrated Camera System** is perfect for use in environmental air handling spaces. The in-ceiling dome is designed for suspended ceiling or recessed ceiling/wall installations. An adapter plate is supplied with the dome to mount the unit to a 4S electrical box or to provide additional support for suspended ceiling installations.

The lower dome is available with clear or smoked bubble. Models with a clear lower dome include a black dome liner for discreet viewing. Domes with a smoked bubble may be purchased without the camera module for preinstallation or for camera bicycling.



NOTE: VALUES IN PARENTHESES ARE CENTIMETERS; ALL OTHERS ARE INCHES



C2404 / NEW 1-07



U.S. Patents D476,025; 6,715,939 B2; 6,805,498 B2; 6,987,460 B2

International Standards Organization Registered Firm; ISO 9001 Quality System

